



EXPO 4 BOLTLESS SHELVING

With EXPO 4 it's as easy as 1-2-3

The unique friction steel clip and shelf design allows the system to be safely erected in minutes.

It now boasts one of the largest selections of modular capacities and sizes, along with an unrivalled range of accessories all finished in a high quality epoxy powder coat paint.

EXPO 4 offers designers and specifiers a solution to meet any design brief, whether it's a few bays for the office, a multi-tier system or high bay project for the warehouse.

- **Clip fit shelving**
All steel shelf adjustable on steel shelf clips
- **Strong and simple to build**
Build bays quickly and easily adjust shelves
- **Flexible storage systems**
Easily adapts to your changing storage needs
- **Hard wearing paint finish**
Offers a clean and bright epoxy powder paint finish
- **Huge range of accessories**
Solves all your storage problems, now and for the future



scan for
videos assembly



storagecatalogue.co.uk
/EXPO

A versatile solution with a huge range of accessories

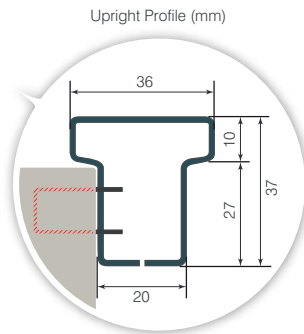
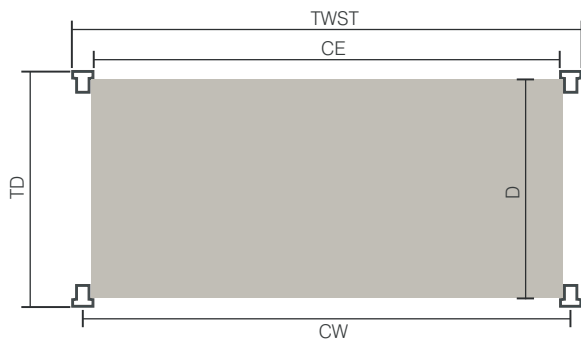
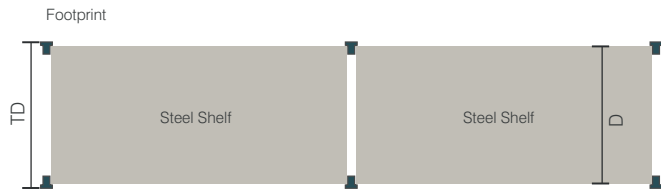
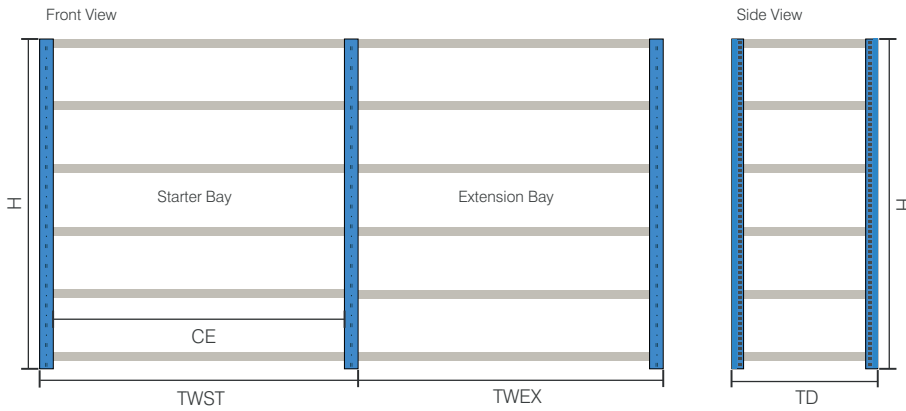


 Heights	 Widths	 Depths	 Application	 Construction	 Loadings
Standard Bay height (mm) 2000 Other Available Heights (mm) 2200, 2500, 3000	Widths (mm) 700, 1000, 1150	Depths (mm) 300, 400, 500, 600	Environment Warehouse, Stockroom, Office, Workshop Usage Multipurpose Storage, Small Parts Picking, Multi Tier Application, Office Solutions	Uprights: Steel Blue RAL5010 Side Battens: Steel Blue RAL5010 Shelf Clips: Steel Galvanised Shelves: Steel Grey RAL7038	Shelf UDL up to 200kg Max Bay Load 2500kg

We can supply projects with uprights up to 7000mm high!

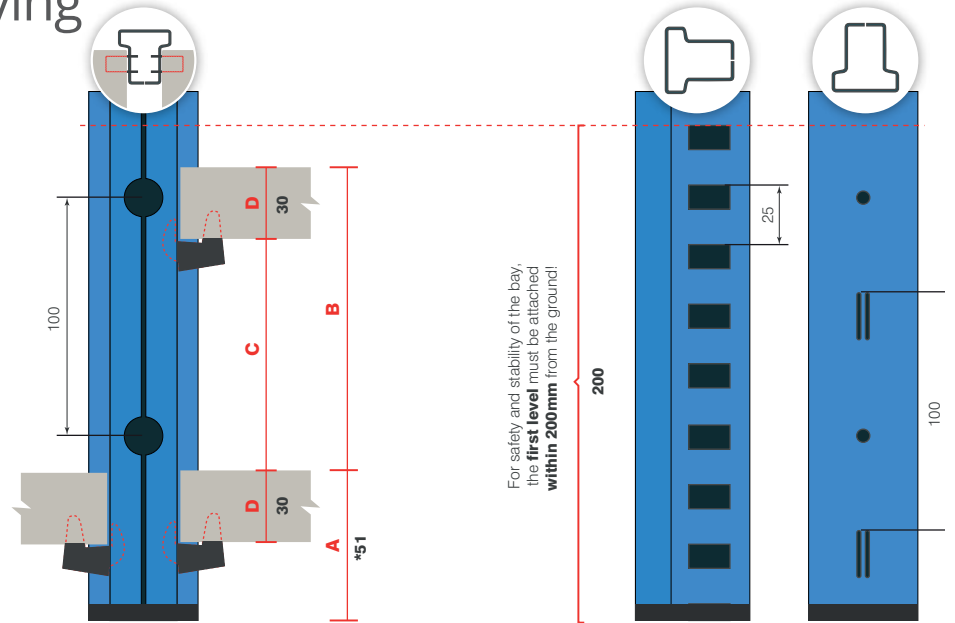
Planning the storage layout for EXPO Shelving

Calculating Exact Dimensions of the Bay & Run of Bays (all dimensions in mm)



Nominal Height*	H	Clear Entry	CE	CE=W-30mm
Nominal Width*	W	Total Width - Starter Bay	TWST	TWST=W+42mm
Nominal Depth*	D	Total Width - Extension Bay	TWEX	TWEX=W+6mm
(D - Actual depth of the shelf)		Center Width	CW	CW=W+6mm
		Total Depth	TD	TD=D+20mm

* Dimensions used in price tables



- A** Minimum First Shelf Level Height (clip in 1st hole)
- B** Shelf Pitch - Distance between levels
- C** Clear Entry - Useable space between shelf levels
- D** Shelf Thickness (30mm)

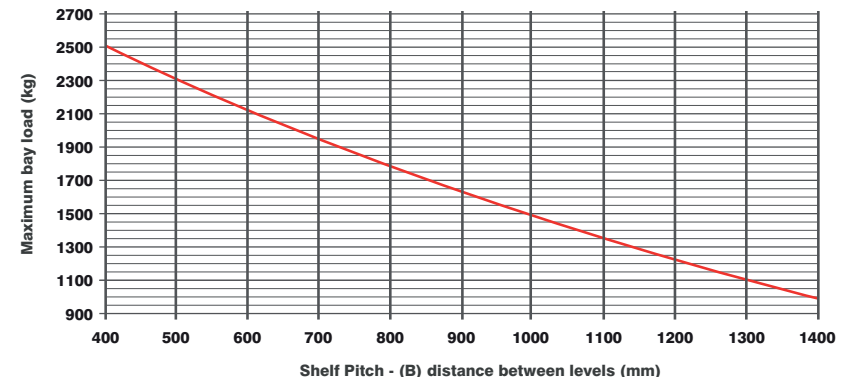
*If using metal feet and/or a plinth, the minimum shelf level height is 76mm as the shelf clip is attached in the 2nd hole

i How to calculate exact Shelf Pitch (B)

Height of item stored + Shelf Thickness divided by 25
 = Round decimal up to the next whole number and multiply by 25

Example: 357mm (Height of stored items) + 30mm (Shelf Thickness) / 25
 = 15.48 rounded up to 16 x 25 = 400mm Shelf Pitch

Expo Shelving Bay Loading (kgs)



EXPO.....one upright with four interchangeable shelf styles

EXPO 4 FULL DETAILS TURN TO PAGE 51



The original shelf design, that comes with a wide range of sizes and capacities, all in a hard wearing light grey (RAL7038) epoxy powder coated finish.



EXPO 4D FULL DETAILS TURN TO PAGE 54



A slotted shelf design, that allows a range of dividers to be integrated into the shelf, which can form compartments within the bay. All in a pure white (RAL9010) epoxy powder coated finish.

EXPO 4G FULL DETAILS TURN TO PAGE 50



The latest addition to the range which offers a competitive, hard wearing galvanised finish, with shelf capacities up to 200kgs.



EXPO 3 FULL DETAILS TURN TO PAGE 56



The "EXTRA" Heavy duty shelf, with shelf capacities up to 400kgs and shelf sizes from 1500mm wide and 1000mm deep. All in a hard wearing galvanised finish.



Choose your bay size and height plus the exact number of shelves for your layout.

EXPO 4G

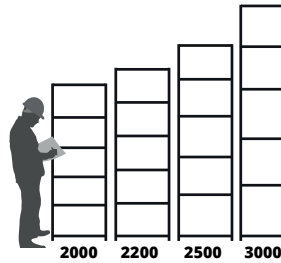
EXPO 4G Offers loadings of up to 200kgs per shelf and is supplied in an all-Galvanised finish, it is the ideal solution for all kinds of storage solutions.

A traditional shelf supported on 4 clips and fully adjustable in increments of 25mm to give maximum flexibility. EXPO 4G has shelf depths of 300, 400, 500 and 600mm and frame heights of 2000, 2200, 2500 and 3000mm.



Pricing based on 6 levels

Available Heights (mm)
(Width shown 700mm)



+For Taller Bays Add Price

	Height (mm)	Starter Bay Code	Price Add to starter	Extension Bay Code	Price Add to extension
D 300mm	2200	E4SG/22-03/6	£5.20	E4EG/22-03/6	£2.60
	2500	E4SG/25-03/6	£19.30	E4EG/25-03/6	£9.65
	3000	E4SG/30-03/6	£38.60	E4EG/30-03/6	£19.30
D 400mm	2200	E4SG/22-04/6	£5.20	E4EG/22-04/6	£2.60
	2500	E4SG/25-04/6	£20.70	E4EG/25-04/6	£10.35
	3000	E4SG/30-04/6	£41.40	E4EG/30-04/6	£20.70
D 500mm	2200	E4SG/22-05/6	£5.20	E4EG/22-05/6	£2.60
	2500	E4SG/25-05/6	£21.80	E4EG/25-05/6	£10.90
	3000	E4SG/30-05/6	£43.60	E4EG/30-05/6	£21.80
D 600mm	2200	E4SG/22-06/6	£5.20	E4EG/22-06/6	£2.60
	2500	E4SG/25-06/6	£23.20	E4EG/25-06/6	£11.60
	3000	E4SG/30-06/6	£46.40	E4EG/30-06/6	£23.20

Replace ' ' with Width (07=700 / 10=1000 / 11=1150) Replace ' ' with Width (07=700 / 10=1000 / 11=1150)

EXPO 4 Galvanised Open Bays

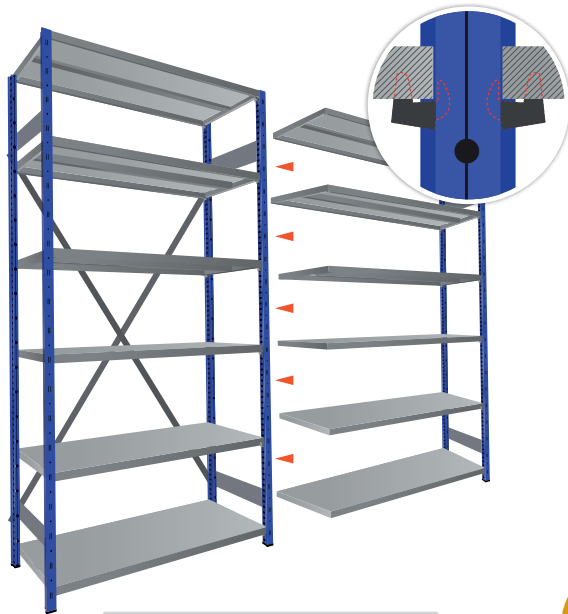
+Add Extension Bay

+Add Extra Shelves

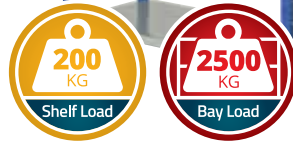
	H x W x D (mm)	Starter Bay Code	Price	Extension Bay Code	Price	Shelf Code	Price	Shelf Load (kg)
D 300mm	2000 x 700 x 300	E4SGG/200703/6	£152.80	E4EGG/200703/6	£110.30	E4G/0703SH	£11.30	150
	2000 x 1000 x 300	E4SGG/201003/6	£175.30	E4EGG/201003/6	£132.80	E4G/1003SH	£15.05	150
	2000 x 1150 x 300	E4SGG/201103/6	£186.70	E4EGG/201103/6	£144.20	E4G/1103SH	£16.95	120
D 400mm	2000 x 700 x 400	E4SGG/200704/6	£167.90	E4EGG/200704/6	£124.00	E4G/0704SH	£13.35	120
	2000 x 1000 x 400	E4SGG/201004/6	£215.30	E4EGG/201004/6	£171.40	E4G/1004SH	£21.25	200
	2000 x 1150 x 400	E4SGG/201104/6	£231.80	E4EGG/201104/6	£187.90	E4G/1104SH	£24.00	170
D 500mm	2000 x 700 x 500	E4SGG/200705/6	£196.20	E4EGG/200705/6	£151.20	E4G/0705SH	£17.70	200
	2000 x 1000 x 500	E4SGG/201005/6	£234.30	E4EGG/201005/6	£189.30	E4G/1005SH	£24.05	200
	2000 x 1150 x 500	E4SGG/201105/6	£253.50	E4EGG/201105/6	£208.50	E4G/1105SH	£27.25	160
D 600mm	2000 x 700 x 600	E4SGG/200706/6	£211.00	E4EGG/200706/6	£164.60	E4G/0706SH	£19.70	200
	2000 x 1000 x 600	E4SGG/201006/6	£254.20	E4EGG/201006/6	£207.80	E4G/1006SH	£26.90	180
	2000 x 1150 x 600	E4SGG/201106/6	£275.50	E4EGG/201106/6	£229.10	E4G/1106SH	£30.45	140

① All bays come with 6 shelves per bay and all necessary fixings, bracing and plastic feet. Extension bay comes with 2 uprights only. 1 pair of Cross Bracing required per four bays.

Pricing based on 6 levels



Extension bay connecting to the Starter bay +detail shelf clips with shelves on an upright



from
£152.⁵⁵



EXPO 4

The "Original" Expo 4 shelf designs offer loadings of up to 200kgs but in a hard-wearing painted finish (RAL7038). Each shelf can be adjusted every 25mm along the upright (Blue RAL5010) providing a quick and simple way to position each shelf.

The shelves come in three widths and four depths from stock, bay heights range from 2000-3000mm from stock but other size and capacities are available to order.

So, whether it's a few bays for the office, a multi-tier or high bay project for the warehouse, we have the solution to meet your needs.



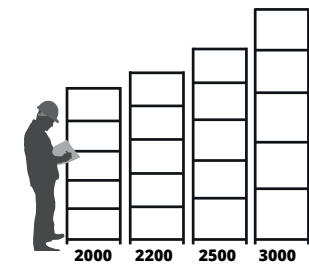
EXPO 4 Open Bays			+Add Extension Bay		+Add Extra Shelves			
	H x W x D (mm)	Starter Bay Code	Price	Extension Bay Code	Price	Shelf Code	Price	Shelf Load (kg)
D300mm	2000 x 700 x 300	E4S/200703/6	£198.85	E4E/200703/6	£152.55	E4/0703SH	£17.70	140
	2000 x 1000 x 300	E4S/201003/6	£244.15	E4E/201003/6	£197.85	E4/1003SH	£25.25	110
	2000 x 1150 x 300	E4S/201103/6	£262.45	E4E/201103/6	£216.15	E4/1103SH	£28.30	90
D400mm	2000 x 700 x 400	E4S/200704/6	£222.45	E4E/200704/6	£174.85	E4/0704SH	£21.20	130
	2000 x 1000 x 400	E4S/201004/6	£274.05	E4E/201004/6	£226.45	E4/1004SH	£29.80	200
	2000 x 1150 x 400	E4S/201104/6	£310.35	E4E/201104/6	£262.75	E4/1104SH	£35.85	180
D500mm	2000 x 700 x 500	E4S/200705/6	£253.05	E4E/200705/6	£204.25	E4/0705SH	£25.90	200
	2000 x 1000 x 500	E4S/201005/6	£308.25	E4E/201005/6	£259.45	E4/1005SH	£35.10	180
	2000 x 1150 x 500	E4S/201105/6	£330.15	E4E/201105/6	£281.35	E4/1105SH	£38.75	150
D600mm	2000 x 700 x 600	E4S/200706/6	£258.45	E4E/200706/6	£208.45	E4/0706SH	£26.40	180
	2000 x 1000 x 600	E4S/201006/6	£335.25	E4E/201006/6	£285.25	E4/1006SH	£39.20	200
	2000 x 1150 x 600	E4S/201106/6	£410.85	E4E/201106/6	£360.85	E4/1106SH	£51.80	150

+For Taller Bays Add Price					
	Height (mm)	Starter Bay Code	Price Add to starter	Price Add to extension	
D300mm	2200	E4S/22-03/6	£5.80	E4E/22-03/6	£2.90
	2500	E4S/25-03/6	£17.40	E4E/25-03/6	£8.70
	3000	E4S/30-03/6	£49.80	E4E/30-03/6	£24.90
D400mm	2200	E4S/22-04/6	£5.80	E4E/22-04/6	£2.90
	2500	E4S/25-04/6	£18.70	E4E/25-04/6	£9.35
	3000	E4S/30-04/6	£52.40	E4E/30-04/6	£26.20
D500mm	2200	E4S/22-05/6	£5.80	E4E/22-05/6	£2.90
	2500	E4S/25-05/6	£19.90	E4E/25-05/6	£9.95
	3000	E4S/30-05/6	£54.80	E4E/30-05/6	£27.40
D600mm	2200	E4S/22-06/6	£5.80	E4E/22-06/6	£2.90
	2500	E4S/25-06/6	£21.10	E4E/25-06/6	£10.55
	3000	E4S/30-06/6	£57.20	E4E/30-06/6	£28.60

Replace '-' with Width (07=700 / 10=1000 / 11=1150)

Replace '-' with Width (07=700 / 10=1000 / 11=1150)

Available Heights (mm)
(Width shown 700mm)



Price includes 4x uprights, 6x shelves and all necessary fixings, bracing and plastic feet. Extension bay comes with 2 uprights only. 1 pair of Cross Bracing required per four bays.

Choose your bay size and height plus the exact number of shelves for your layout.

EXPO 4 side cladding options



EXPO 4 Solid Side Cladding						
	H x D (mm)	Code	Price	H x D (mm)	Code	Price
H2000mm	2000 x 300	EX10/2003/GY	£33.40	2500 x 300	EX10/2503/GY	£42.60
	2000 x 400	EX10/2004/GY	£43.75	2500 x 400	EX10/2504/GY	£55.70
	2000 x 500	EX10/2005/GY	£54.05	2500 x 500	EX10/2505/GY	£68.75
	2000 x 600	EX10/2006/GY	£64.50	2500 x 600	EX10/2506/GY	£82.00
H2200mm	2200 x 300	EX10/2203/GY	£36.60	3000 x 300	EX10/3003/GY	£50.65
	2200 x 400	EX10/2204/GY	£48.00	3000 x 400	EX10/3004/GY	£66.30
	2200 x 500	EX10/2205/GY	£59.30	3000 x 500	EX10/3005/GY	£81.85
	2200 x 600	EX10/2206/GY	£70.80	3000 x 600	EX10/3006/GY	£97.65

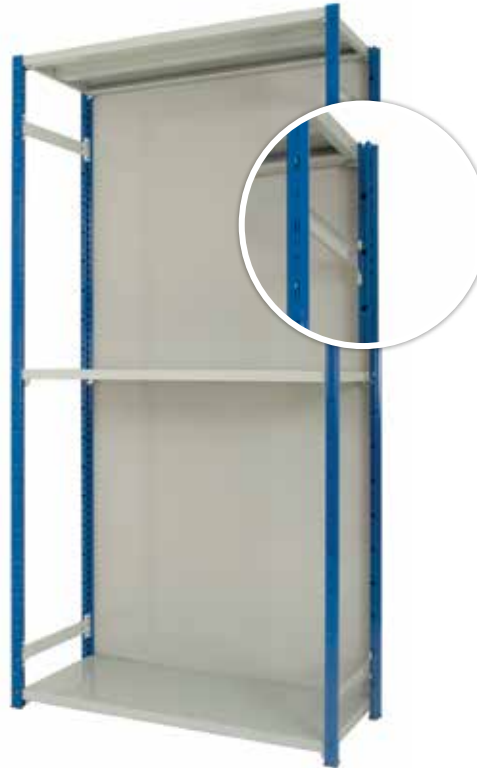
i Price to clad each frame. Includes multiple panels and a plastic joining rib. (light grey RAL7038)

EXPO 4 Mesh Side Cladding						
	H x D (mm)	Code	Price	H x D (mm)	Code	Price
H2000mm	2000 x 300	EX11/2003/GV	£20.30	2500 x 300	EX11/2503/GV	£24.50
	2000 x 400	EX11/2004/GV	£28.20	2500 x 400	EX11/2504/GV	£33.90
	2000 x 500	EX11/2005/GV	£36.80	2500 x 500	EX11/2505/GV	£43.70
	2000 x 600	EX11/2006/GV	£45.20	2500 x 600	EX11/2506/GV	£54.00
H2200mm	2200 x 300	EX11/2203/GV	£22.40	3000 x 300	EX11/3003/GV	£30.45
	2200 x 400	EX11/2204/GV	£31.05	3000 x 400	EX11/3004/GV	£42.30
	2200 x 500	EX11/2205/GV	£40.25	3000 x 500	EX11/3005/GV	£55.20
	2200 x 600	EX11/2206/GV	£49.60	3000 x 600	EX11/3006/GV	£67.80

i Price to clad each side. Includes multiple panels of 2"x 2" galvanised mesh and ties.

i Divide bays with simple to fit side cladding - no tools necessary.

EXPO 4 back cladding options



EXPO 4 Mesh Back Cladding

	H x W (mm)	Code	Price
W700mm	2000 x 700	EX12/2007/GV	£56.70
	2200 x 700	EX12/2207/GV	£62.20
	2500 x 700	EX12/2507/GV	£67.70
	3000 x 700	EX12/3007/GV	£85.05
W1000mm	2000 x 1000	EX12/2010/GV	£82.40
	2200 x 1000	EX12/2210/GV	£90.60
	2500 x 1000	EX12/2510/GV	£98.80
	3000 x 1000	EX12/3010/GV	£123.60
W1500mm	2000 x 1150	EX12/2011/GV	£94.20
	2200 x 1150	EX12/2211/GV	£103.45
	2500 x 1150	EX12/2511/GV	£112.70
	3000 x 1150	EX12/3011/GV	£141.30

Price includes multiple panels of 2"x 2" galvanized mesh and ties.

EXPO 4 Solid Sheet Back Cladding

	H x W (mm)	Code	Price
W700mm	2000 x 700	EX13/2007/GY	£103.50
	2200 x 700	EX13/2207/GY	£116.45
	2500 x 700	EX13/2507/GY	£129.40
	3000 x 700	EX13/3007/GY	£168.20
	2000 x 1000	EX13/2010/GY	£146.70
W1000mm	2200 x 1000	EX13/2210/GY	£163.95
	2500 x 1000	EX13/2510/GY	£181.20
	3000 x 1000	EX13/3010/GY	£237.30
	2000 x 1150	EX13/2011/GY	£167.80
W1500mm	2200 x 1150	EX13/2211/GY	£191.75
	2500 x 1150	EX13/2511/GY	£215.70
	3000 x 1150	EX13/3011/GY	£275.65

Price includes multiple solid steel sheets (light grey RAL7038) and screws.

EXPO 4 Hook In Back Cladding

	H x W (mm)	Code	Price
W700mm	2000 x 700	EX14/2007/GY	£166.50
	2200 x 700	EX14/2207/GY	£193.00
	2500 x 700	EX14/2507/GY	£209.50
	3000 x 700	EX14/3007/GY	£252.50
	2000 x 1000	EX14/2010/GY	£195.80
W1000mm	2200 x 1000	EX14/2210/GY	£231.55
	2500 x 1000	EX14/2510/GY	£245.95
	3000 x 1000	EX14/3010/GY	£296.10
	2000 x 1150	EX14/2011/GY	£214.85
W1500mm	2200 x 1150	EX14/2211/GY	£255.50
	2500 x 1150	EX14/2511/GY	£269.75
	3000 x 1150	EX14/3011/GY	£324.65

Price includes multiple hook in steel panels (light grey RAL7038).

We have multiple solutions to different storage problems, if you are unsure what's best for you, please contact us.



EXPO 4D

Expo 4D integrates the Delta Plus shelf within the standard Expo uprights (Blue RAL5010). These shelves are finished in a pure white (RAL9010).

The shelves come slotted, this allows the use of a range of dividers to create compartments along the shelf, which are available in two widths and four depths.

Bays are supplied with six slotted shelves and are all easily adjustable on clips at a 25mm pitch. All you need to do is select the accessories you need to create any bay configurations that meets your requirements.



EXPO 4 Open Bays (White)			+Add Extension Bay		+Extra Shelf		+Add Extra Height					
H x W x D (mm)	Starter Bay Code	Starter Bay Price	Extension Bay Code	Extension Bay Price	Shelf Code	Shelf Price	Shelf Load	Starter Bay Code	Price (Add to starter bay)	Extension Bay Code	Price (Add to extension)	
300mm	2000 x 700 x 300	E4ST/200703/6/BW	£193.15	E4ET/200703/6/BW	£146.83	E4/0703ST	£16.75	120	E4ST/22-03/6/BW	£5.80	E4ET/22-03/6/BW	£2.90
	2000 x 1000 x 300	E4ST/201003/6/BW	£230.35	E4ET/201003/6/BW	£184.03	E4/1003ST	£22.95	120	E4ST/25-03/6/BW	£17.40	E4ET/25-03/6/BW	£8.70
									E4ST/30-03/6/BW	£49.80	E4ET/30-03/6/BW	£24.90
400mm	2000 x 700 x 400	E4ST/200704/6/BW	£218.55	E4ET/200704/6/BW	£170.93	E4/0704ST	£20.55	120	E4ST/22-04/6/BW	£5.80	E4ET/22-04/6/BW	£2.90
	2000 x 1000 x 400	E4ST/201004/6/BW	£264.45	E4ET/201004/6/BW	£216.83	E4/1004ST	£28.20	120	E4ST/25-04/6/BW	£18.70	E4ET/25-04/6/BW	£9.35
									E4ST/30-04/6/BW	£52.40	E4ET/30-04/6/BW	£26.20
500mm	2000 x 700 x 500	E4ST/200705/6/BW	£243.15	E4ET/200705/6/BW	£194.33	E4/0705ST	£24.25	120	E4ST/22-05/6/BW	£5.80	E4ET/22-05/6/BW	£2.90
	2000 x 1000 x 500	E4ST/201005/6/BW	£298.35	E4ET/201005/6/BW	£249.53	E4/1005ST	£33.45	120	E4ST/25-05/6/BW	£19.90	E4ET/25-05/6/BW	£9.95
									E4ST/30-05/6/BW	£54.80	E4ET/30-05/6/BW	£27.40
600mm	2000 x 700 x 600	E4ST/200706/6/BW	£268.05	E4ET/200706/6/BW	£218.03	E4/0706ST	£28.00	120	E4ST/22-06/6/BW	£5.80	E4ET/22-06/6/BW	£2.90
	2000 x 1000 x 600	E4ST/201006/6/BW	£331.95	E4ET/201006/6/BW	£281.93	E4/1006ST	£38.65	120	E4ST/25-06/6/BW	£21.10	E4ET/25-06/6/BW	£10.55
									E4ST/30-06/6/BW	£57.20	E4ET/30-06/6/BW	£28.60

Solid Back Cladding (Flat Sheet)		
H x W (mm)	Code	Price
2000 x 700	EX13/2007/WH	£165.60
2200 x 700	EX13/2207/WH	£186.30
2500 x 700	EX13/2507/WH	£207.00
3000 x 700	EX13/3007/WH	£269.10
2000 x 1000	EX13/2010/WH	£234.60
2200 x 1000	EX13/2210/WH	£262.20
2500 x 1000	EX13/2510/WH	£289.80
3000 x 1000	EX13/3010/WH	£379.50



i Bay price includes uprights, plastic feet, shelf clips, slotted shelves, side cladding and all necessary bracing and fixings.

i Other sizes are available, please contact the sales office to discuss your requirements or visit our support website.

Shelves and accessories fully interchangeable with Delta Plus Steel Shelving



Solid Side Cladding		
H x D (mm)	Code	Price
2000 x 300	EX10/2003/WH	£25.75
2000 x 400	EX10/2004/WH	£34.25
2000 x 500	EX10/2005/WH	£42.45
2000 x 600	EX10/2006/WH	£51.00
2200 x 300	EX10/2203/WH	£28.20
2200 x 400	EX10/2204/WH	£37.60
2200 x 500	EX10/2205/WH	£46.60
2200 x 600	EX10/2206/WH	£55.95
2500 x 300	EX10/2503/WH	£32.80
2500 x 400	EX10/2504/WH	£43.75
2500 x 500	EX10/2505/WH	£54.00
2500 x 600	EX10/2506/WH	£64.95
3000 x 300	EX10/3003/WH	£39.00
3000 x 400	EX10/3004/WH	£51.95
3000 x 500	EX10/3005/WH	£64.25
3000 x 600	EX10/3006/WH	£77.25

4. Bin Front / Back Stop		
W x H (mm)	Product Code	Price
686 X 85	EX31/070/085/WH	£4.10
986 X 85	EX31/100/085/WH	£5.85

3. Freestanding Dividers		
D x H (mm)	Product Code	Price
300 x 175	EX20/030/175/WH	£4.45
400 x 175	EX20/040/175/WH	£5.70
500 x 175	EX20/050/175/WH	£6.85
600 x 175	EX20/060/175/WH	£8.05

1. Slot In Dividers		
D x H (mm)	Product Code	Price
300 X 95	EX32/030/095/WH	£1.70
300 x 195	EX32/030/195/WH	£3.10
400 x 95	EX32/040/095/WH	£2.30
400 x 195	EX32/040/195/WH	£4.20
500 x 95	EX32/050/095/WH	£2.90
500 x 195	EX32/050/195/WH	£5.30
600 x 95	EX32/060/095/WH	£3.50
600 x 195	EX32/060/195/WH	£6.40

2. Fixed height dividers		
Size D x H (mm)	Product Code	Price
300 x 300	EX33/030/300/WH	£4.10
300 x 400	EX33/030/400/WH	£5.50
400 x 300	EX33/040/300/WH	£5.70
400 x 400	EX33/040/400/WH	£7.60
500 x 300	EX33/050/300/WH	£7.15
500 x 400	EX33/050/400/WH	£9.60
600 x 300	EX33/060/300/WH	£8.60
600 x 400	EX33/060/400/WH	£11.50

i Accessory pricing applied in addition to bay pricing. Slot-In and Fixed Height Dividers require slotted shelves (supplied as standard with white bays)

i **White Expo shelves are now fully compatible with Delta Plus - check out the full range on Page 61**

